

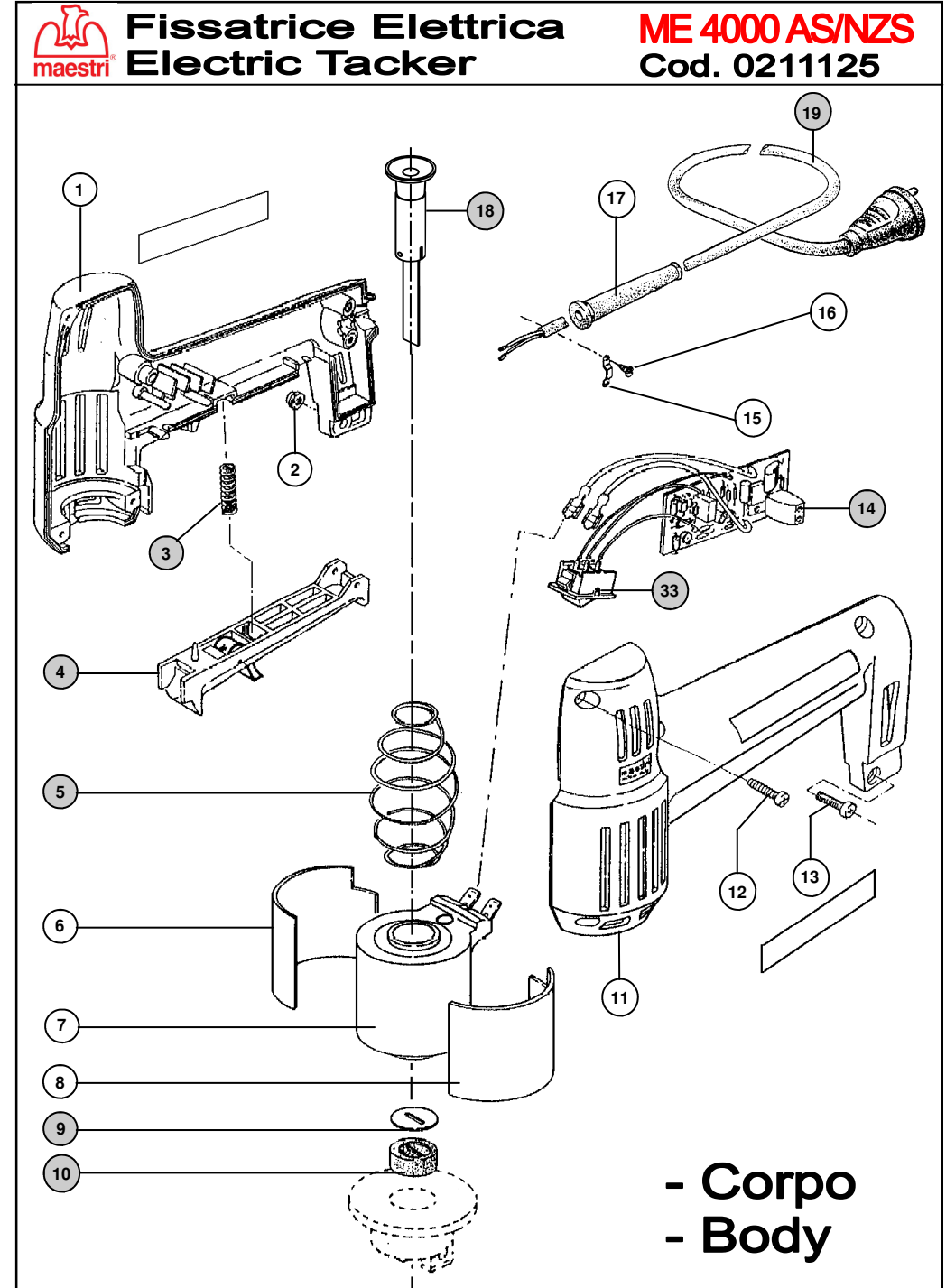
- Carrello
- Magazine

Rif.No.	Codice / Code
1+11+12	49061
2	51002
3+4	49060
5+9+10	49012
6	70350
7	40017
8	70351
13	50004
14	40012
15	70352
16	50028
17+19	49026
18	42961
20	70821
21	71233
22	70819

Rif.No.	Codice / Code
23	54005
24	71405
25	70802
26	42706
27	62289
28	50205
29	62492
30	54011
31	71357
32	70801
33	40130

Rif.No.	Codice / Code
26+27+28+29 30+31+32	42704

- RICAMBI CONSIGLIATI
- RECOMMENDED SPARE PARTS
- PIECES DE RECHANGE RECOMMANDEES
- EMPFOLHENE ERSATZTEILE
- REPUESTOS ACONSEJADOS



- Corpo
- Body



For sales, service and spare parts

www.apm-mouldings.com.au

APM Mouldings 120-130 Bolinda Rd Campbellfield, VIC 3061
Ph: 03 8301 9199 | Fax 03 9357 4077 | Email apmoffice@chamton.com
www.apm-mouldings.com.au

Australian Owned Family Company
Quality Moulding Manufacturers and Distributors



FOR ORDERS
Available 24/7

