

# EXP 42" Plus Laminator

## Owner's Manual



MADE IN U.S.A.

Part#652821

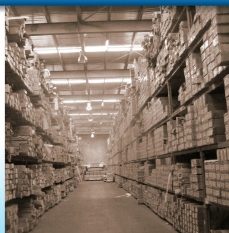
For sales, service and spare parts



**Chamton** Pty Ltd

APM Mouldings 120-130 Bolinda Rd Campbellfield, VIC 3061  
Ph: 03 8301 9199 | Fax 03 9357 4077 | Email [apmoffice@chamton.com](mailto:apmoffice@chamton.com) | [www.apm-mouldings.com.au](http://www.apm-mouldings.com.au)

Australian Owned Family Company | Quality Moulding Manufacturers and Distributors



## Table of Contents

About the Manual.....	2
Safety Precautions.....	3
Finding a Work Area .....	4
Unpacking Your Laminator .....	4
Loading Film .....	5
Operation Instructions for Release Liner Rewind (optional).....	6
Tension .....	6
Setting Roller Temperature.....	7
Control Panel Left Diagram.....	7
Control Panel Right Diagram .....	7
Nip Adjusters Diagram .....	8
Mounting Using a SuperStick® Pouch Mounting System .....	9
Mounting and Laminating Using a SuperStick® Pouch Board .....	10
Encapsulating with a SuperStick® Flexible Pouch or Release Board.....	11
Cleaning Your EXP 42” Plus Laminator .....	12
Specifications.....	12
Trouble Shooting.....	13
Warranty .....	14
Webbing Diagrams .....	15 - 16
Parts List.....	17 - 19

## About this Manual:

### READ ME FIRST!

This manual contains all of the information that you will need to properly unpack, operate and maintain your Laminator. Before unpacking your laminator we suggest that you read and follow the manual step by step. This manual contains essential information about each and every facet of your laminator. Be sure to pay special attention to the work environment and safety precautions necessary for your laminating unit.

Also, pay special attention to any particular notes and caution statements. These comments alert you to information that we feel is essential to operator safety and damage prevention to the laminator.

### Copyright Information:

**IMPORTANT:** This manual is copyright protected by your dealer in accordance with the laws and requirements of the United States Government. Any reproduction of this manual, in part or in full, without the written permission of your dealer constitutes a violation of the U.S. copyright laws and is subject to prosecution.

## Safety Precautions

**WARNING: Please review the following safety precautions before unpacking your new laminator.**

- **Use care in unpacking and lifting the laminator.** Be sure to keep the laminator level when lifting or moving. The laminator weighs approximately 300 pounds.
- **Consider your work area.** A cluttered work space can lead to accidents. The laminator should be placed on a level, sturdy surface. Do not attempt to operate the laminator in a damp or wet environment. Do not operate electrical devices in the presence of flammable liquids, solvents or in gaseous/explosive atmospheres. Keep the work area well lit. Allow sufficient access to the front and the back of the machine. See page 4 for additional work space requirements.
- **Respect the feed rollers.** Keep your hands away from the feed rollers and any other moving parts. Turn the drive switch to the OFF position before attempting to clear any film wraparounds or jams. Use the automatic reverse to clear any film. Do not wear any loose clothing, ties, jewelry, etc., which can be caught in the feed rollers.
- **Do not operate the laminator when any panels or guards have been removed.** Panels and guards protect operators from such moving parts as the drive chain and sprockets, roller ends, etc.
- **Turn the power switch OFF** before walking away or leaving the laminator unattended.
- **Before lifting or moving the laminator,** turn the power switch OFF, unplug the unit and allow the laminator to cool to room temperature. Remove any film rolls before lifting or moving the machine. Film is easy to rethread, see pages 15 - 16.
- **Keep children away.** Make sure visitors are kept well back from an operating laminator.
- **Do not abuse the electrical cord.** Never pull the cord in order to disconnect it from the receptacle. Do not allow the cord to have contact with heat, oil or sharp edges. Do not cut off or otherwise bypass the grounding prong on the plug.
- **If an extension cord is necessary,** be sure that it is properly rated and of the same wire gauge or smaller as the laminator cord. The capacity of the cord must prevent loss of power and overheating. Before using, inspect the extension cord for any damage, including loose or exposed wires, broken fittings, damaged insulation, etc.
- **For service on your laminator** call your dealer. Use only your dealer's parts for service or replacement. Failure to use your dealer's parts could void the manufacturer's warranty.
- **Use common sense.** Be cautious when operating your laminator. Do not operate the laminator when you are tired or your reactions are impaired in any way.
- **Do not allow anyone to operate the laminator** who has not received proper instruction and has not read the safety instructions

## Find a Work Area

A separate work station is required to house your laminator. Ample room is necessary to access the laminator from all four sides. If the laminator is backed against a wall, the laminating film may back up and jam the equipment. Your laminator must be on a stable, level surface.

Tools necessary to set up your laminator include cutting shears and adhesive tape. For future service or maintenance, an assortment of Allen wrenches, a flat head screwdriver and a Phillips head screwdriver are necessary.

## Unpacking Your Laminator

### The shipping carton contains:

- 1 Laminator
- 1 Top Supply Mandrel
- 1 Bottom Supply Mandrel
- 1 Feed Table
- 1 Operating Handbook

### **\*Be sure to save the shipping carton . . .**

Should your laminator ever need to be returned for service, the foam-filled carton ensures safe transit.

**NOTE:** Each laminator is test run after it is assembled. Your laminator may have a piece of test film in the rollers when you receive it. If so, before threading, remove the test film by turning the drive switch to the "ON" position. The test film will exit the laminator.

## Loading Film

### Step 1:

The laminator should be preheated before loading the laminating film. To heat the machine **see page 6 “Setting Roller Temperature”**.

### Step 2:

When the laminator is heating, the rollers **MUST** be turning at all times in order to heat the rubber rollers evenly and to reduce the risk of “heat spots” on the rollers. To turn the rollers, turn the drive switch to the forward position and rotate the speed control knob until the rollers are moving slowly. Heat for approximately 15 minutes.

**NOTE:** Do not apply excessive force to the ends of the mandrel (i.e. with a hammer). Excessive force will cause damage. Also, be sure to center the film rolls on the supply mandrels. If the film rolls are not aligned, hot adhesive will be deposited on the heated rubber rollers, necessitating a cleaning operation. Poly-Off Cleaning Kit, see page 12.

Choose your laminating film. For encapsulating, both types of film should be of the same size, type and thickness.

To load your film rolls, first un-hook the bottom supply mandrel from both sides and insert the mandrel into the roll of film. Then, place the lower mandrel back on the laminator. Next, un-hook the top supply mandrel from both sides and insert the mandrel into the second roll of film. Then, place the top mandrel back on the laminator.

**NOTE:** When loading your laminating film, check for film splices. These rolls will be clearly marked. Splices are not common but are unavoidable. If you find a splice, place that film roll on the top position so the splice can be monitored carefully. When the splice is ready to come through the laminator, turn the drive off, and rotate the roll of film by hand so that the film is very loose. Turn the drive switch on and allow the splice to run through the laminator. If necessary, keep turning the roll of film to keep the slack until the splice is out.

### Step 3:

Thread the top roll of film under the idler roller. Pull the film down so that the film’s lead edge is below the lower roller. Next, thread the bottom roll of film under the lower idler bar pulling the film upward until it is even with the top roller shoe and is parallel side to side with the top roll of film. “Tack” it to the top film edge, this creates a film “Web”.

**NOTE:** Use caution when threading your film around the rollers.

### Step 4:

Loosen the tension on both rolls of laminating film. Turn on the “Drive” switch. While using the threading board, push the film web into the laminating rolls. This process will push the web into the pull rolls and exit. Be sure to take extra care to ensure that the film exits between the rear rollers.

Your laminator is now loaded. Remove the threading board and save for your next use.

**NOTE:** Slowly run the laminator while threading to help maintain control.

**NOTE:** Create your own threading board from a piece of 12”x40” poster board.

## Operation Instructions for Release Liner Rewind (optional)

This laminator is equipped with the features necessary to allow the use of pressure sensitive film with release for single side lamination. The release liner rewind will remove the release liner from the film and wind the waste onto an empty core, which can then be disposed.

The pressure sensitive film should be mounted on the upper supply roll and threaded under the idler shaft. An empty film core should be mounted on the waste rewind mandrel with the mandrel mounted onto the laminator. A section of scrap media that is at least as wide as the film in use, should be inserted into the front rollers of the laminator. Separate about 6 inches of the release liner from the film and mount the exposed portion of the film to the media that has been inserted into the machine. Bring the end of the release liner under and up, to the waste rewind mandrel. Then, tape the release liner to the spare core that has been installed to the mandrel. The waste rewind mandrel may be rotated by hand to assist in the start up. Slowly advance the motor of the laminator. While guiding the film and the media to the rear rollers, insure that the release liner is firmly attached to the waste rewind core.

The separation point for the film and the release liner should be between the idler shaft and the point where the film contacts the heat shoe. The separation point can be adjusted by the tension knob on the waste rewind drive shaft. If the separation point is past the point where the film contacts the heat shoe, tighten the tension knob slowly until the separation point moves towards the idler shaft. If the separation point approaches the waste rewind mandrel or the idler shaft, loosen the tension knob slowly until the separation moves towards the heat shoe. The tension setting should need very little adjustment once set, but should be monitored during operation.

Once the separation point is set, lamination is performed normally. Care should be taken to minimize the gap between successive pieces of media being laminated so that the adhesive from the film is in contact with the lower roll as little as possible.

## Tension

**To adjust the tension for the upper and lower film rolls, the laminator must be loaded and heated.**

Remove the feed tray. Loosen both tension control knobs by turning counterclockwise until there is no tension on the upper or lower film roll. Film should pull freely.

Turn the drive switch "ON."

As the film runs through, it will appear wrinkled and bubbly. Gradually increase the tension on both rolls by turning the knobs clockwise until the film is smooth. Once the film is smooth, stop tightening the knobs.

**NOTE:** For best results, reset the tension with EACH new pair of film rolls.

**NOTE:** As the film roll supply becomes low, it is necessary to decrease the tension on the rolls. Reset at approximately the last 1/3 to 1/4 of a roll.

**NOTE:** Too little tension on the top or bottom roll can cause vertical or diagonal streaks in the film as it passes around the heated rollers.

**NOTE:** When using thicker films, wrinkling and bubbling may occur if the laminator's speed is set too fast.

**WARNING:** Excessive tension will lead to increased wear and tear on the laminator. Once the laminator is loaded, heated and the tension adjusted – reinstall the feed tray.

## Setting Roller Temperature

(See Figure 1 and Figure 2)

1. Press the “SEL” green button
2. Adjust the temperature up or down using the up arrow or the down arrow.
3. Press the “SEL” green button again to activate the temperature.

## Control Panel ( Left )

### Figure 1 ( Upper Roller Temperature Control )

- Lowers and raises the upper heated roller temperature

### Figure 2 ( Lower Roller Temperature Control )

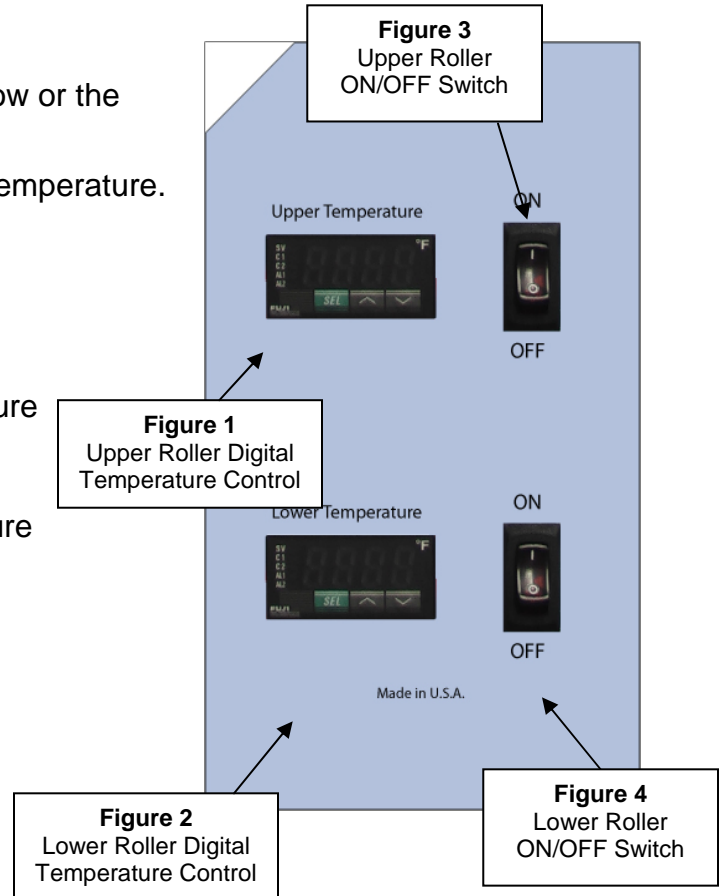
- Lowers and raises the lower heated roller temperature

### Figure 3 ( Upper Roller ON/OFF Switch )

- Toggles the upper heated roller to ON or OFF

### Figure 4 ( Lower Roller ON/OFF Switch )

- Toggles the lower heated roller to ON or OFF



## Control Panel ( Right )

### Figure 1 ( Motor Switch )

- Toggles the laminator rollers to Forward or Reverse

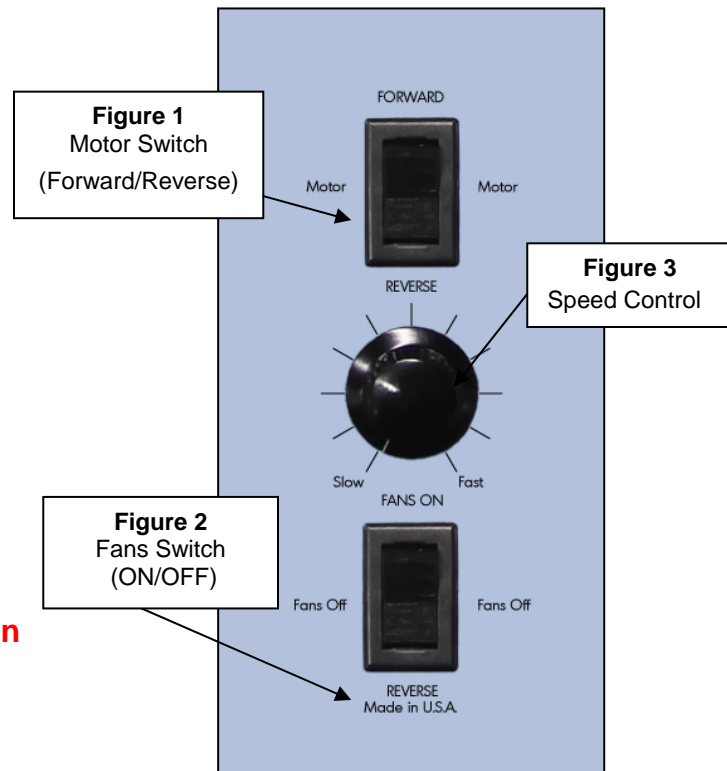
### Figure 2 ( Fans Switch )

- Toggles the laminator fans to ON or OFF

### Figure 3 ( Speed Control Knob )

- Adjusts the speed of the laminator's heated rollers
- Measured in feet per minute ( FPM )

**Note: To reverse the direction of lamination, switch the motor and fan switches to the “reverse” position**





## Nip Adjusters

The nip adjusters are located on the left hand side of the laminator and are operated from the front and the rear of the machine. The nip adjusters are used to adjust the height of the rollers.

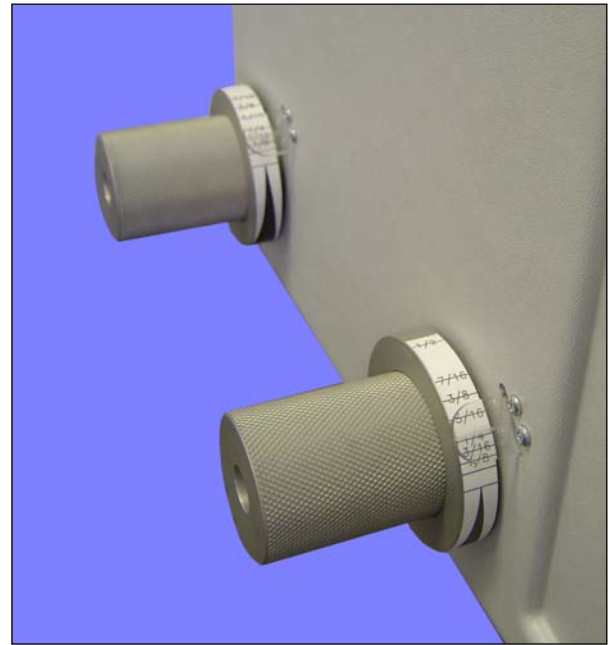
### To Operate the Nip Adjusters:

- Grasp the nip adjuster with your left hand and pull out approximately 1/4".
- Once the nip adjusters have disengaged from the stop, they may be rotated forward or backward (clockwise or counter-clockwise, as viewed from the left hand side of the unit).

### To Set the Height of the Rollers:

- Continue to rotate the nip adjusters until the desired measurement corresponds with the measurement indicator on the knob.
- Select the measurement that indicates the thickness of the material that you will be using with the machine.
- Release the nip adjusters so that it moves back to the right and clicks into place, this will set the rollers for use.
- The measurements on the nip adjusters, 1/2", 1/4" (6mm), 3/16" (5mm), 1/8" (3mm) and 1/16" (1.5mm) correspond to board thickness'.
- There is also a fully closed stop, 0" (0mm) for encapsulating applications.
- For additional pressure when the rollers are closed, pull the knob out and rotate the knob counter clockwise to increase the pressure.

**Note: Do not apply additional pressure to the rear pull rollers. The rear pull rollers operate best with minimal pressure.**



## Mounting using the SuperStick® Pouch Mounting System

### Step One

Insert your print into the SuperStick® mounting and laminating pouch.



### Step Two

Place the SuperStick® pouch on the surface of virtually any rigid substrate or foam board – NO ADHESIVE NECESSARY!



### Step Three

Pass the SuperStick® pouch and board combination through the SuperStick® heated roll laminator.



### Step Four

Display your finished product. That's it!



## Mounting and Laminating using a SuperStick® Pouch Board:

1. For specific instructions on mounting/laminating with a SuperStick® board, refer to the instruction sheet that is packed with each box of SuperStick® pouch boards.
2. Also, refer to the instruction sheet for information on compatible media, process conditions, and technical information.
3. A SuperStick® pouch board consists of a foam mounting board with a piece of film sealed to the top of the board.
4. Carefully examine the board, determine which edge is sealed. There is a 1/8" tape edge on the sealed end.
5. Starting at one of the corners that is opposite to the sealed edge, gently lift and peel back the film. Care should be taken not to break the sealed hinge.
6. Center the image that you wish to laminate in the pouch and lay the film back over it.
7. Cover your print with the white carrier that has been provided in the pouch board box. This is required to prevent any adhesive from sticking to the rolls.
8. Set the control knob to the correct setting that matches the pouch board thickness.
9. Slowly insert the pouch board into the inlet opening. Ensure that the pouch board will enter centered and straight. A gentle push may be required to start the board into the machine. Hold the edges of the pouch board until it is engaged and the laminator begins pulling on its own.
10. The pouch board will feed through the laminator and automatically exit at the rear of the unit.
11. Support the board as it exits the machine to keep the heated board from curling down.
12. **THE POUCH BOARD WILL BE HOT!** Allow the board to lie flat while cooling.
13. If there is any dirt or adhesive on the surface of the board, it can be removed by dampening a lint free cloth with Poly-Off and wiping the surface.

## Encapsulating with a SuperStick® Flexible Pouch using a SuperStick® Sled or release board:

1. Refer to the instruction sheet packed with each box of SuperStick® flexible pouches for specific instructions on encapsulating.
2. Also, refer to the instruction sheet for information on compatible media, process conditions, and technical information.
3. The flexible pouch consists of two pieces of film that are hinged at one end. Separate the two pieces starting at the end opposite the hinge. Take care not to break the hinged seal.
4. Center the image that you wish to laminate in the pouch so that there is at least a 1/8" (3mm) border around each of the sides. This ensures that moisture never reaches the image.
5. Place the pouch with the image on the release carrier board that is included with the flexible pouches or SuperStick® sled carrier. The SuperStick® sled is a carrier board that is used to assist in the handling of large flexible pouches. It is made of materials that will not damage or cause excessive wear to the EXP 42" Plus laminators.

**NOTE:** Smooth out any wrinkles with the side of the hand or a soft, flexible squeegee.

6. Better results may be achieved by taping the leading edge of the pouch to the sled, using masking tape.
7. Adjust the control knob to the 3/16" setting for the SuperStick® sled or 1/16" for the release carrier board to accommodate its thickness. Be sure that the heat is on, the middle LED indicator is on and that the bottom LED is constantly on.
8. Slowly insert the sled or release carrier board with the flexible pouch on top into the inlet opening. Ensure that the sled or release board is centered and straight. A gentle push may be required to start the sled or release board into the machine. Hold the edge of the sled or release board until it is engaged and the laminator begins pulling it on its own.
9. The sled or release board will feed through the laminator and automatically exit at the rear of the machine.
10. **THE SLED or RELEASE BOARD WILL BE HOT!** Allow the board to lie flat. Be sure to cool before removing the tape.
11. If there is any dirt or adhesive on the surface of the board, it can be removed by dampening a lint free cloth with ISO Propyl Alcohol (IPA) and wiping the surface.

## Cleaning Your EXP 42” Plus Laminator

The laminator may be cleaned with a lint free cloth, lightly dampened with a mild soap and water solution. Do not use spray-on cleaners. Do not immerse any part of the laminator in water or any other liquid.

### Cleaning the rollers with Poly-Off Cleaners & Erasure

1. Remove the Poly-Off kit from its packaging.
2. Place the latex gloves over your hands for protection.
3. Pour the required amount of Poly-Off on a sponge and/or abrasive brush.
4. Scrub the affected area until all debris has loosened.
5. Wipe clean with a towel or cloth.
6. Place the Poly-Off kit back in its packaging for storage.



**Note:** The poly-off cleaning kit is not standard with the laminator. Order part # 221065

## Specifications

Capacity .....	41”
Height.....	19 ¼”
Width.....	57”
Length.....	27 ½”
Net Weight .....	205 lbs.
Shipping Weight.....	255 lbs.
Electrical .....	230v 30A Single Phase

## Trouble Shooting

### Common Examples and Causes of Poor Laminating.

#### A. The film is not bonding to the subject or to itself at the sealed edges

Causes:

1. The heat (on either or both of the rollers) is set too low.
2. The film tension is too tight.
3. The bottom roll of film is threaded incorrectly.
4. The pressure setting is not correct.

#### B. There are wrinkles or irregular waves running across the laminated web (Perpendicular to the edge)

Causes:

1. The heat set is too high.
2. There is not enough tension on the supply mandrels. (Large, irregular waves).
3. There is too much tension on the supply mandrels. (Small, fine wrinkles - "orange peel" effect).
4. The rubber laminating rollers are not clean.
5. The pressure adjustment for the laminating and pull rollers is out of adjustment.

#### C. There are stretch lines running with the web (Parallel to the edge)

Causes:

1. There is too much tension on the supply mandrels.
2. The heat (on either or both of the rollers) is set too high.
3. The heated rollers are not clean.

#### D. There are blisters on the surface or along the edge of the subject

Causes:

1. The heat is set too high on either or both heated rollers.
2. There is excessive moisture in the paper that is being laminated. (If inks are not dry, this may also cause blisters). For high moisture content substrates, use low temperature films with a bonding temperature of 185°-190°F.
3. The rubber laminating rollers are not clean, or are damaged.

#### E. The finished lamination is curling

Causes:

1. There is unbalanced tension on the supply rolls. (Too much tension on the top supply roll will cause the web to curl up. Too much tension on the bottom roll will cause a downward curl in the web).
2. The bottom roll of film has been threaded incorrectly.
3. The heat is unbalanced in the top or bottom heated rollers. (If the subject curls up, there is too much heat on the top roller. If it curls down, there is too much heat on the bottom roller).

#### F. There is wrinkling around the edge of the laminated item

Causes:

1. The item that needs to be laminated is too thick or there is not enough adhesive on the type of film that is being used.

#### Possible Solutions:

- a. Loosen tension
- b. Use thicker film (Higher adhesive content)
- c. Flush cut item

## Terms & Conditions

Dealer, warrants to the original consumer purchaser that each new SuperStick® EXP 42" Plus laminator which proves defective in materials or workmanship within the applicable warranty period will be repaired or at our option, replaced without charge upon its return as outlined below. The applicable warranty shall be one year from date of purchase. "Original consumer purchaser" means the purchaser who first purchased the product covered by this warranty other than for purpose of resale.

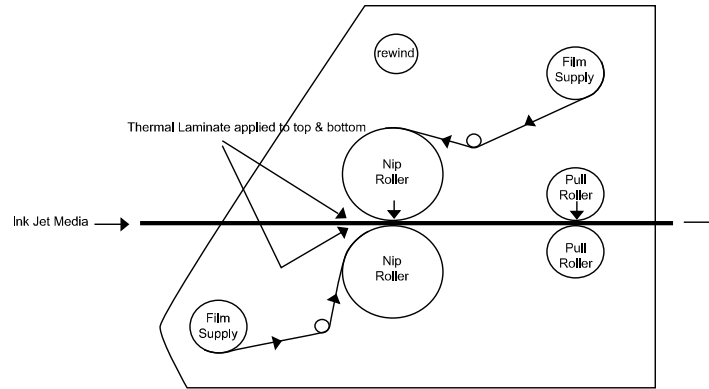
Liability for breach of any warranty expressed or implied shall be limited to the repair or replacement, at the dealer's discretion of the defective item. The dealer shall not be liable for damages arising out of, or in connection with the use or performance of any SuperStick® product. Any implied warranty shall be limited in duration to the duration of this warranty. Some states do not allow limitations on how long an implied warranty lasts for the exclusion or limitation of consequential damages, so the above limitation may not apply to you.

There are no consumer serviceable parts in the SuperStick® EXP 42" Plus laminator. If you require service under this warranty, contact your dealer to obtain a return authorization number (RA), pack the product in its original packaging (or request the same from technical service when requesting the RA), and include a description of the malfunction and proof of the date of purchase. Technical service will arrange for the SuperStick® EXP 42" Plus laminator to be picked up by a freight company. Failure to return the laminator in its original packaging could void this warranty.

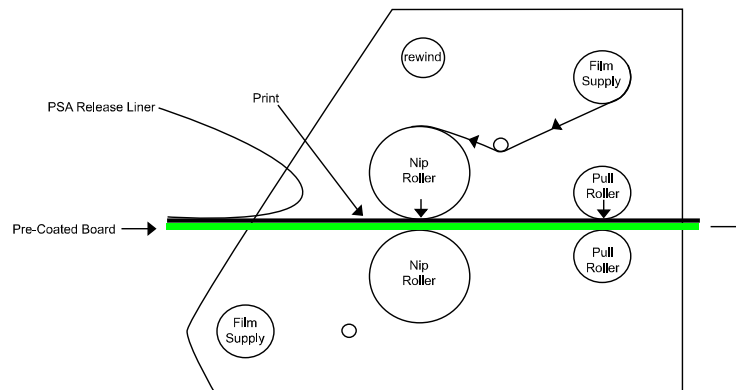
The warranty extends to and is enforceable only by the original consumer purchaser, and only for the period which the product remains in the possession of the original equipment purchaser. This warranty does not cover any defect or malfunction due to the use of faulty non-SuperStick® EXP 42" Plus laminator materials, unreasonable use or abuse of the machine, or failure to provide reasonable and necessary maintenance. This warranty gives you specific legal rights and you may have other rights, which vary, from state to state.

# Webbing Diagrams

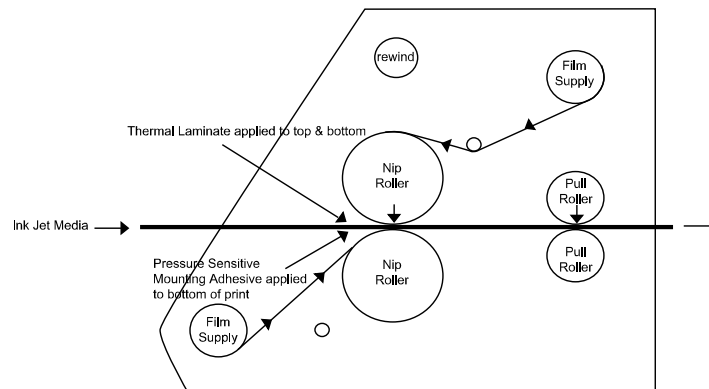
## 1. Encapsulating



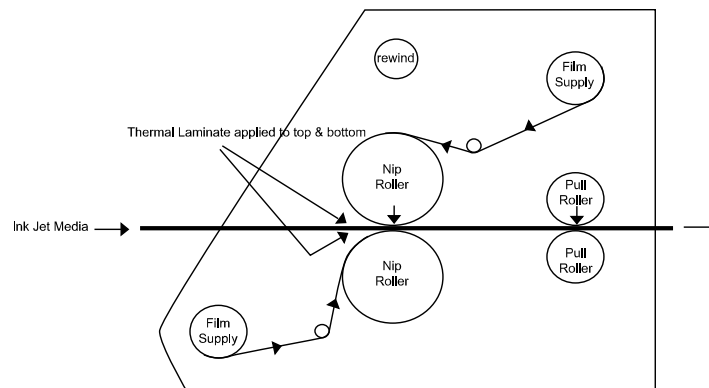
## 2. Mounting and Laminating Print to pre-coated board



## 3. One Step Decal



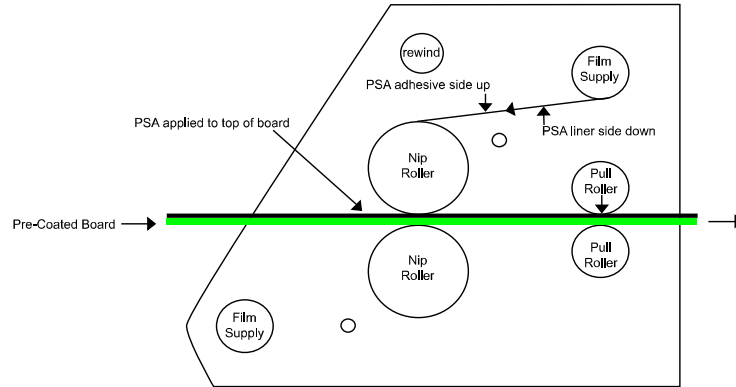
## 4. Two Step Decal



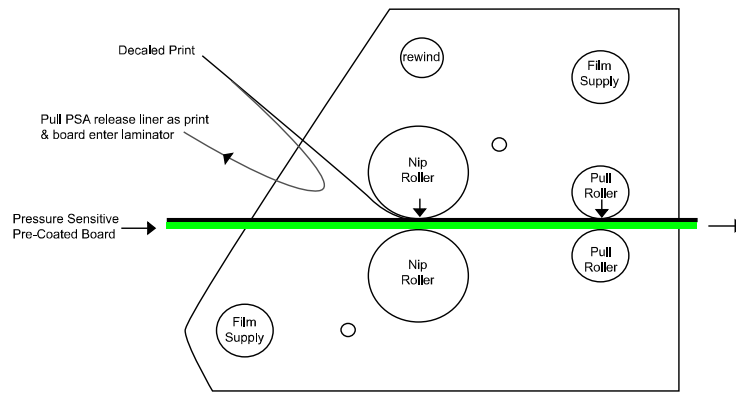


## Webbing Diagrams (Continued)

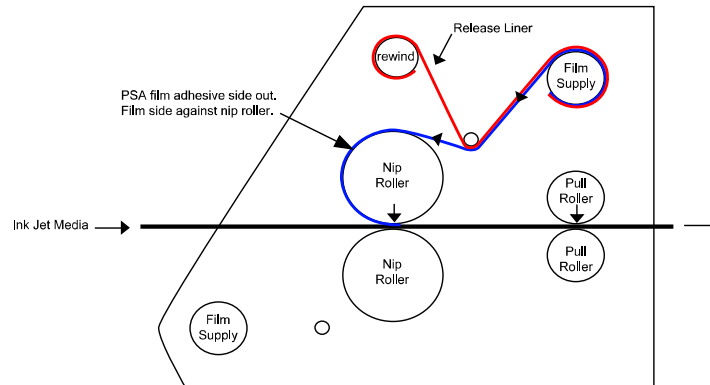
### 5. Pre-Coating Boards



### 6. Mounting Decal Print



### 7. Laminating with PSA and Release Liner



Part Number	Description line 1	Qty Req'd.
A5511	2002DIGITAL DRIVE SWITCH-BEZEL	1
A5514	2002 DRIVE SWITCH CLASSROOM	1
BSH0120	HEADED BUSHING	2
BSH0290	BRASS WASHER TT504	2
COL0100	COLLAR - 1/2" SPLIT	2
ELC0870	KNOB, POT	1
EXP287	LABE, PINCH POINT	1
EXP288	LABEL, DISCONNECT POWER	1
EXP290	LABEL, HOT	1
HTE0150	TRIAC	2
ROL2380	ROLLER END 1/2	4
SPK0260	SPROCKET 35B10F 1/2"	1
600045	SCREW, 10-32 X 3/8 SHC	1
600080	SCREW, 10-32 X 1-1/4 SHC	4
600194	SCREW, 5/16-18 X 3 3/4 SHC	8
600345	SCREW, 10-32 X 1/4, SET CONE PT	1
600630	SCREW, 8-32X1/2 BUTTON HEAD	4
600715	10 X 1/2 PAN PHIL T/S-B(ZINC)	18
600716	10 X 3/8 PAN PHIL T/S-B(ZINC)	4
600745	SCREW, 1/4-20X1/2 BUTTON HEAD	8
600964	SCREW, 1/4-20X2-1/4 SHCS	2
600967	SCREW, 1/4-20X1-1/4 BH HEX	4
600977	SCREW, 7/16-20X1 1/2 HEX HEAD	4
600978	WASHER 7/16IDX1 1/8X1/16	4
601100	SCREW, 6-32X1/4 PAN HEAD	2
601115	SCREW, 8-32X1/4 PAN HEAD	6
601116	6-32X1-7/8 PHILLIPS PAN HEAD	16
601130	SCREW, 8-32X5/8 PAN HEAD	4
601215	SCREW, 4-40X1/4 PAN HEAD,	2
604030	ROLL PIN, 1/8X1/2,ZINC PLATE	4
604112	3/16 X 7/8 ROLL PIN	6
604410	DOME HEAD RIVET, 1/8X.299X.25H	44
604430	RIVET GSMD44S POP SD44BS	6
604465	RIVET,SD64BS, "POP" BRAND	10
604840	WASHER 1/4 SPLIT LOCK	4
610411	1/8 KEYSTOCK 1" LG	2
610700	CUSTOM BRACKET 8-32	22
611020	SCREW, 6-32X3/8" W/PATCH PHIL	1
620116	STRAIN RELIEF BUSH HEYCO 1287	1
620430	WIRE BUSHING SB625-500	1
650831	WIRE CROSSOVER	1
651067	O'RING RETAINER FOR MANDREL	2
652821	OPERATION MANUAL, EXP 42 PLUS	1
652984	Box, Expressions 42 Plus	1
652989	Skid Expressions 42 Plus	1
654086	BUSH 1/2X3/4X1/2 FLANGE BRONZE	4
654095	BUSHING-UPPER ROLL AV DELRIN	2
707062	IDLER ROLL DOWELS	2
707099	PLAIN FRICTION PLATE	2
707100	LOWER D SLOT FRICTION PLATE	1
707231	UPPER & LOWER LEFT SUPPLY	3

Part Number	Description line 1	Qty Req'd.
707232	UPPER & LOWER RIGHT SUPPLY	2
707340	CAM, 1.750 EXP42PRO PLUS	4
707341	CAMSHAFT, EXP42PRO PLUS	2
707342	INTERNAL TENSION ADJUST KNOB	2
707343	GAP ADJUSTMENT HANDLES	2
707344	GAP ADJUSTMENT GEAR	2
707347	STOP RACK GAP ADJUSTER	2
707348	STOP RACK MOUNT	2
707349	TOP REAR SHAFT EXP 42 PRO PLUS	1
707350	BOTTOM REAR SHAFT EXP 42 PLUS	1
707359	TOP D SLOT FRICTION PLATE	1
707513	IDLER ROLER EXP 42 PLUS	2
707520	40" IND EXTENDED FEED TABLE	1
707521	40" IND EXTENDED FEED GUIDE	1
707524	MOTOR HOUSING, EXP 42	1
707544	LEFT SIDE PANEL, EXP 42 PRO PLUS	1
707554	BASE CHANNEL SUPPORT,40" INDRL	2
707554R	BASE SUPPORT, REAR 42 PLUS PRO	2
707555	RIGHT SIDEPANEL, EXP 42 PRO PLUS	1
707590	42" 3" OD EXTRUDED RUBBER ROLL	2
707608	SWITCH MOUNT PLATE EXP 42 POUCH	1
707636	LEFT SIDE COVER EXP42PRO PLUS	1
707637	RIGHT SIDE COVER EXP 42 PRO PLUS	1
707641	ROLLER, EXP 42 PLUS PULL ROLL	2
707691	LOWER CONNECTOR, FRONT 3" ROLL	2
707692	UPPER CONNECTOR FRONT 42 PLUS	2
707693	LOWER CONNECTOR, REAR 42 PLUS	2
707694	UPPER CONNECTING PLATE REAR	2
707853	TURNAROUND BAR, 40"INDUSTRIAL	1
707898	PVC ROLLER END CAP	4
707910	REINFORCING BAR, 40"INDUSTRIAL	2
707961	SUPPLY ROLL SHAFT, EXP 42 PRO PLUS	2
707962	3" PVC MANDREL 75 MM OD PVC	2
707963	NIP GUARD EXP 42 PRO PLUS	1
708147	CLIP, BUSHING RETAINER	2
708149	CLIP, RETAINING RING 1" DIA	2
709540	GAP INDICATOR POINTER	2
709541	GAP INDICATOR RING	2
709542	GAP INDICATOR LABEL	2
709543	TEMPERATURE LABEL EXP 42 PLUS	1
709544	ON/OFF MOTOR SPEED LABEL	1
709546	TEMPERATURE MOUNTING PLATE	1
801230	SPROCKET, 21 TOOTH #35, 1" BORE	1
801231	SPROCKET, 10 TOOTH #35 .312 BORE	1
801878	LOCKING RING EXP 42 PLUS MANDREL	2
801969	FANS, GUARDS 3"	4
801987	FUSE HOLDER, PANEL MOUNT, .25" QCK	2
801988	FUSEHOLDER, MOLDED BASE	1
802057	HEATER, EXP 42 PLUS EVEN HEAT	2
802102	MOTOR V01925AD83 90V DC	1
802133	BUSH 1X1 1/8X 1 FLANGE	2

Part Number	Description line 1	Qty Req'd.
802134	WASHER ½" ID .058 THICK	2
802145	PRESSURE SPRING, 57LBS./IN.,.48"	4
802162	COMPRESSION SPRING 7912197	2
802166	PHONLIC BUSH, ROTA ELEC THERMO	4
802171	BUSH 1X1 1/8X1/2 FLANGE	2
802176	THERMO END COVER - 3" ROLLER	4
802179	BUSHING 1/2X5/8X.830 FLANGE	2
802180	SPRING FOR GAP ADJUSTER	2
802235	SWITCH, 25A, 250V, DPST, ON_OFF,	1
802244	LIGHTED SWITCH, CARLING	2
802247	ROTATING ELECTRICAL CONNECTOR	4
802301	TERMINAL BLOCK 812-4KT73KT74	2
802338	PRESSURE SPRING 71536S	12
802357	THERMOCOUPLE, EXP 32/42	2
802360	LEATHER WASHER 1-114-W	4
802448	FUSE, .8A/250V SLO BLO	1
802450	FUSE 30 AMP AT 250V, 1.5"(L) x 13/32 (D)	2
821607	MOTOR CONTROL, KBIC-21PMCLS	1
821616	FAN - 3" 220VAC	4
908018	CHAIN - INDUSTRIAL #35	1
908020	ALUM FEET PROF PLUS LAM STAND	4
911121	TEMP CONTROLLER - EXP 42 PLUS	2
920008	WIRE ASS'Y, 6", BLACK, FOOT	1
920012	WIRE ASS'Y, 27", BLACK,MOTOR	1
920013	WIRE ASS'Y, 27", RED,MOTOR	1
920022	WIRE ASS'Y, 5", BLUE,HEAT	2
920027	WIRE ASS'Y, 6", WHITE,SEAL	1
920029	WIRE ASS'Y, 6", BLACK,SEAL	1
920030	WIRE ASS'Y, 6", BLACK	2
920038	WIRE ASS'Y, 13.5", WHITE, KYSWTCH	2
920053	WIRE ASS'Y, 15", BLACK	1
920056	WIRE ASS'Y, 73", BROWN	1
920058	WIRE ASS'Y, LOWER FAN, 40"IND	1
920058	WIRE ASS'Y, LOWER FAN, 40"IND	1
920060	WIRE ASS'Y, 7", BLACK	4
920063	WIRE ASS'Y, 9", BLACK	6
920066	WIRE ASS'Y, 73", WHITE	1
920084	WIRE ASS'Y, 15", WHITE	1
920095	WIRE ASS'Y, 14", BLACK	2
920155	WIRE ASS'Y, THERMOCOUPLE EXT 88	2
920157	WIRE ASS'Y, 20", WHITE	1
920158	WIRE ASS'Y, 14", BROWN FOR SSR	2
920159	WIRE ASS'Y, 13.5 BLK	2
920160	WIRE ASS'Y, 14" ,BROWN	2
951945	POWER CORD SA - 40" INDUSTRIAL	1