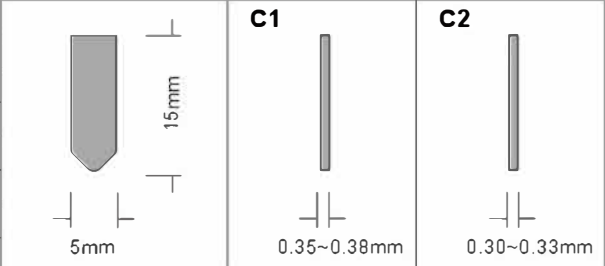
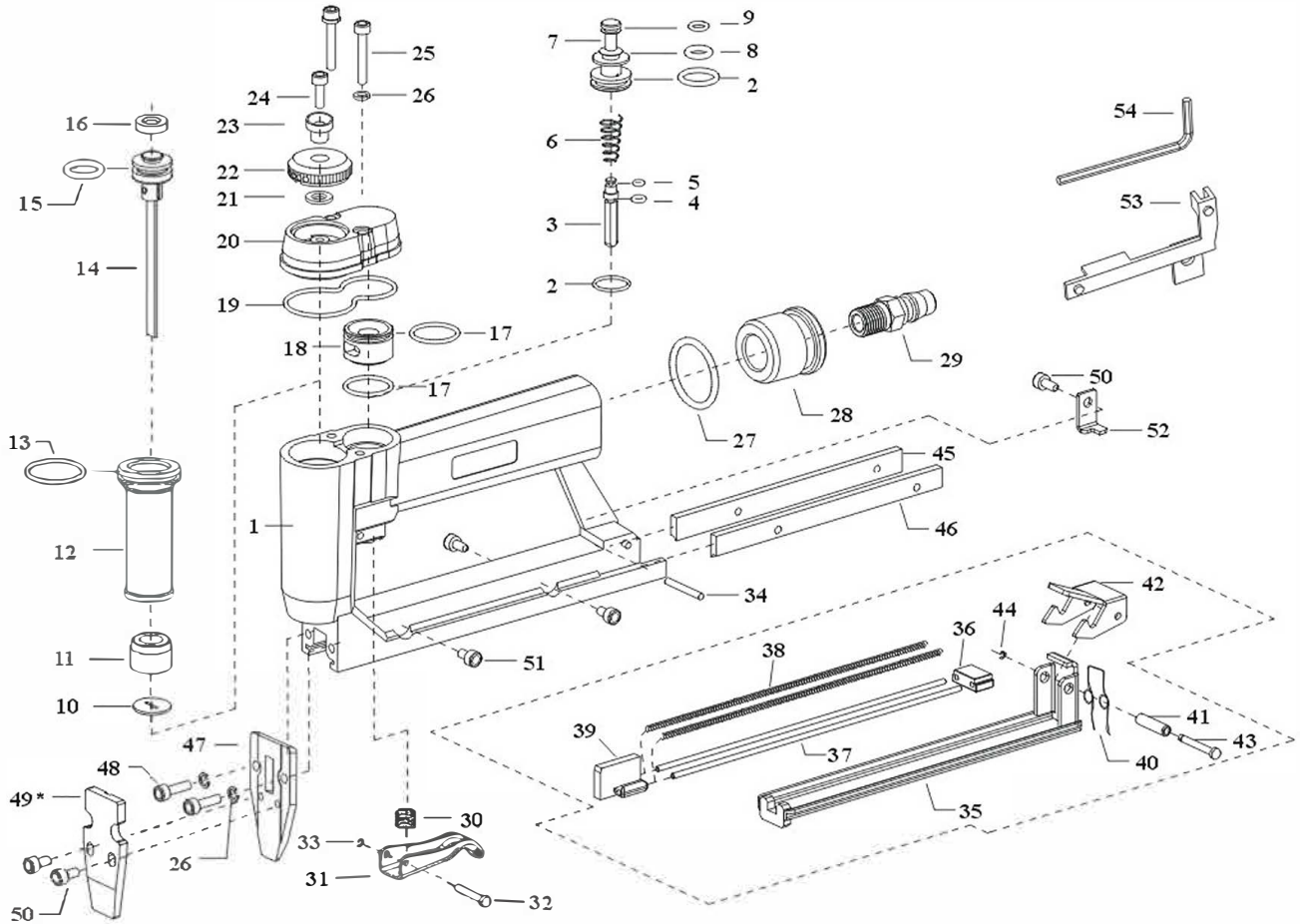


SPECIFICATIONS AND TECHNICAL DATA

FPD01

Product Number	FPD01	
Height	155mm	
Width	35mm	
Length	207mm	
Weight	0.9KG	
Operating Pressure	0.40 to 0.70 MPa (60 to 100 PSI)	
Loading Capacity	200 Staples	
Accessories	Hex. Bar wrench	



Index	Description	Code	Index	Description	Code	Index	Description	Code
1	Main Body	A228801	21	Seal	A101504	40	Spring	A901711
2	O-Ring 12.9*2.8	E01129280	22	Exhaust Cap	A228402	41	Sleeve	A901710
3	Valve Core	A001501	23	Washer	A228403	42	Trigger	A901709
4	O-Ring 3.1*1.8	E01031180	24	Screw M4*14	E1304014	43	Pin	A001706
5	O-Ring 1.8*1.8	E01018180	25	Hex Bolt M4*25	E1404025	44	E-Ring	E31020
6	Spring	A001502	26	Washer 4	E21040	45	Right Stell Bar	A901703
7	Valve	A228301	27	O-Ring 26*3	E01260300	46	Left Stell Bar	A901704
8	O-Ring 7.6*2.6	E01076260	28	Joint	A228903	47	Driver Guide	A901702
9	O-Ring 6*1.8	E01060180	29	Air phg	E02111	48	Hex Bolt M4*16	E1404016
10	Washer	A901901	30	Spring	A902903	49*	Driver Guide	C1 A901701
11	Bumper	A228202	31*	Trigger	A902005		C2 A917701	
12	Cylinder	A228201		32	Pin	A001901	50	Hex Bolt M4*8
13	O-Ring 22.3*2	E01223200	33	Ring	A001903	51	Hex Bolt M4*7	E1404007
14	Driver Assembly	A901003	34	Spring Pin	A001904	52	Slider Stop	A228904
15	O-Ring 11*2.5	E01110250	35	Slider	E2503025	53	Pedestal	A002902
16	Bumper	A228105	36	Cushion	A901005	54	Spanner	E33030
17	O-Ring 18.9*1.8	E01189180	37	Pole	A901708			
18	Valve Guide	A228404	38	Spring	A901706			
19	8-Ring	A228405	39	Pusher	A901707			
20	Cylinder Cap	A228401			A901705			



For sales, service and spare parts

www.apm-mouldings.com.au

APM Mouldings 120-130 Bolinda Rd Campbellfield, VIC 3061
Ph: 03 8301 9199 | Fax 03 9357 4077 | Email apmoffice@chamton.com
www.apm-mouldings.com.au

Australian Owned Family Company
Quality Moulding Manufacturers and Distributors



FOR ORDERS
Available 24/7

