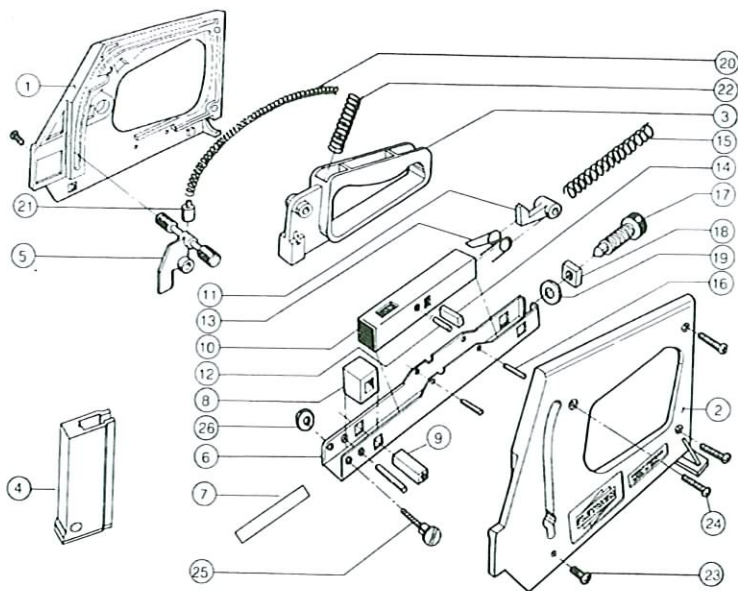


# MULTIMASTER YELLOW GUN (07-800)



NO.	ORDER	PART NAME	QTY.	NO.	ORDER	PART NAME	QTY.
1	12-734	Handle (Right Hand)	1	14	12-713	Spring Stop Plate	1
2	12-735	Handle (Left Hand)	1	15	12-714	Main Spring	1
3	12-736	Trigger Assembly	1	16	12-715	Guide Pin	3
4	12-733	Magazine Assembly	1	17	12-716	Adjustable Knob	1
5	12-704	Follower Assembly	1	18	12-717	Square Nut	1
6	12-737	Channel	1	19	12-718	Washer	1
7	12-738	Push Plate	1	20	12-719	Follower Spring	1
8	12-707	Bumper	1	21	12-720	Cap	1
9	12-708	Stop Bar	1	22	12-721	Trigger Spring	1
10	12-709	Hammer	1	23	12-722	Pan Head Screw	2
11	12-710	Pawl	1	24	12-723	Plastite Screw	3
12	12-711	Pawl Pin	1	25	12-731	Magazine Screw	1
13	12-712	Torsion Spring	1	26	12-725	Magazine Nut	1



For sales, service and spare parts

[www.apm-mouldings.com.au](http://www.apm-mouldings.com.au)

APM Mouldings 120-130 Bolinda Rd Campbellfield, VIC 3061  
Ph: 03 8301 9199 | Fax 03 9357 4077 | Email [apmoffice@chamton.com](mailto:apmoffice@chamton.com)  
[www.apm-mouldings.com.au](http://www.apm-mouldings.com.au)

Australian Owned Family Company  
Quality Moulding Manufacturers and Distributors



FOR ORDERS  
Available 24/7

